



## Non-return Valve

### MATERIAL

- Steel parts: Stainless steel AISI 304 or acid-resistant steel AISI 316L.
- Seal ring: EPDM rubber.
- Finish: Semi bright.

### CONNECTIONS

- The valve is available with welding ends for tubes according to 3A, SMS, BS, DIN 11850.

### TECHNICAL DATA

- Required differential pressure for opening the valve when fitted in a vertical pipe, as shown in fig.3, is approx. 6kpa(0.06bar).
- Max. product pressure: 1000kpa(10bar).
- Max. temperature: 140°C(EPDM).
- Min. temperature: -10°C.

### OPTIONS

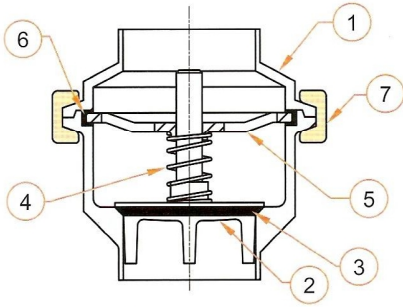
Material grades

- A) Product wetted seal rings of nitrile(NBR) or Fluorinated rubber (FPM).

### ORDERING

Please state the following when ordering:

- Size.
- Steel grade, AISI 304 or AISI 316L.
- Rubber grade if not EPDM.



SIZE	NAME
1	Body
2	Disc
3	Seal Romg
4	Spring
5	Plate
6	Ring
7	Clamp

Fig 1. Non-return valve

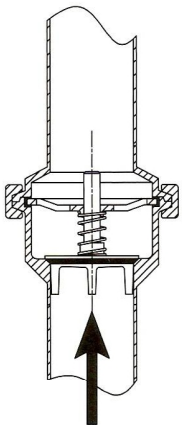


Fig.3.

Show the optimal built-in situation. Other positions permitted are e.g. horizontal.

The four guide legs of the valve cone ensures good alignment.

Flow direction

### PRESSURE DROP/CAPACITY DIAGRAM

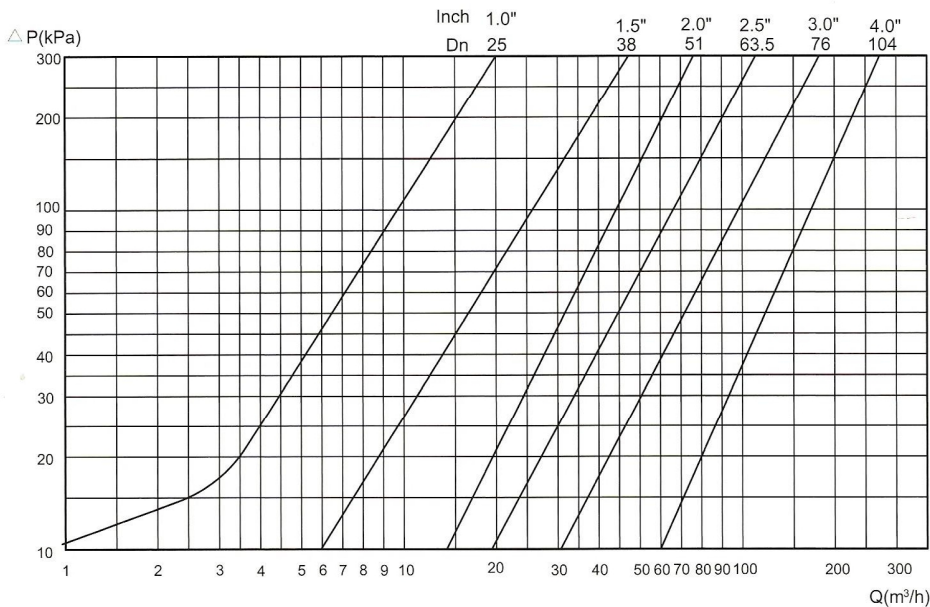


Fig.2

NOTE For the following applies:  
Medium: Water(20°C)  
Measurement: In accordance with VDI 2173C)